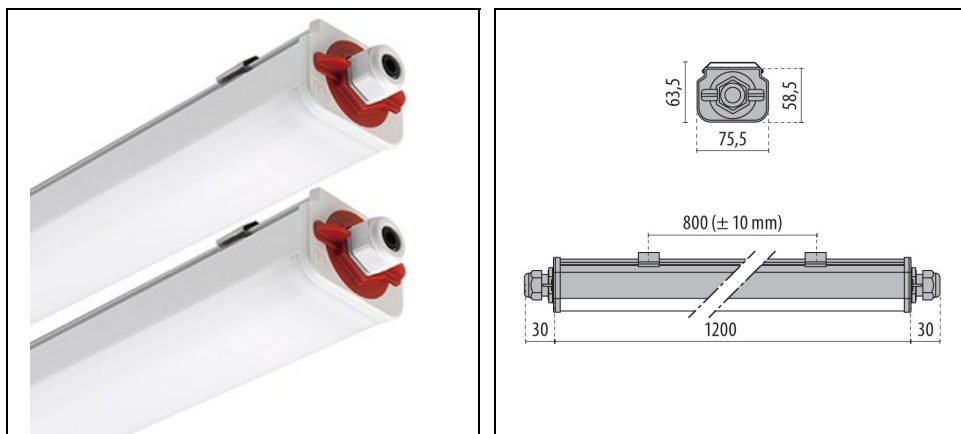


NORMA+ 120 CL

Part number 305990



Description

Weatherproof LED luminaire, comprising:

- UV stabilised co-extruded polycarbonate body with double finish; satin-finish for the optical compartment and matte finish for the auxiliary electrical compartment.
- Technolpolymer end caps
- Anti-ageing custom moulded silicone sealing gasket(s)
- Tool-less bayonet opening polycarbonate cap for mains connection
- Cable gland M20x1.5 for cables \varnothing 10- \varnothing 14 mm
- Complete with through wiring for power supply to a continuous row
- Built-in driver
- Aluminium heat sink
- Stainless steel springs for quick installation
- Photometric data measure according to UNI EN 13032-4 and IES LM-79-08

To maintain the regular updating of our products, PERFORMANCE IN LIGHTING reserves the right to make changes without prior notice. For the most up to date information we always recommend you read the latest version published on the website www.performanceinlighting.com. Delivered luminaire lumen outputs and power consumptions, including losses, are subject to a tolerance of +/- 7%, and unless otherwise stated the values apply to an ambient temperature of 25°C. Terms of warranty are available at www.performanceinlighting.com/qr/qr/company/terms-and-conditions

Product data

ETIM Group:	EG000027	ETIM Class:	EC0028g2
-------------	----------	-------------	----------

General information

Lampholder:	LED	Light source:	LED
Lightsource lumen output [lm]:	3775	Luminaire lumen output [lm]:	3002
Luminaire wattage [W]:	25 W	Luminous efficacy [lm/W]:	120
CRI:	80	Kelvin:	4000
Colour / Finish:	GR-RAL7035 / Grey RAL7035 / Matt	IP degree of protection:	IP65
IK-J-xxIP:	IK09 15J xx7	Insulation class:	I
Optic:	SYMMETRIC EXTRA-WIDE	Net weight [kg]:	1.925

Mechanical features

Shape:	RECTANGULAR	Housing material:	PLASTIC
Diffuser material:	PLASTIC	Glow wire test [°C]:	750 °C

Electrical features

Voltage type:	AC/DC	Power factor / COS Φ:	0.9
Inrush current [A/μs]:	22 / 176		

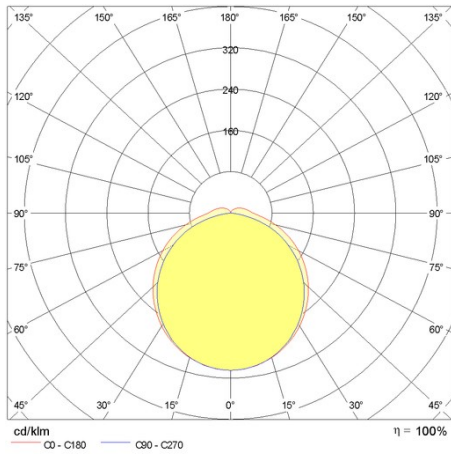
Installation

Application area:	Indoor	Mounting type:	Weatherproofs
Min. ambient temperature [°C]:	-25	Max. ambient temperature [°C]:	45

Light features

MacAdam:	5	Lumen maintenance:	L80B10@50000h
Distribution of light emission:	Direct	UGR max.:	19,6

Photometric data



To maintain the regular updating of our products, PERFORMANCE IN LIGHTING reserves the right to make changes without prior notice. For the most up to date information we always recommend you read the latest version published on the website www.performanceinlighting.com. Delivered luminaire lumen outputs and power consumptions, including losses, are subject to a tolerance of +/- 7%, and unless otherwise stated the values apply to an ambient temperature of 25°C. Terms of warranty are available at www.performanceinlighting.com/qr/qr/company/terms-and-conditions